

Product Overview

NSi83085 is a high reliability isolated half duplex RS-485 transceiver based on NOVOSENSE digital isolation technology, while NSi83086 is an isolated full duplex RS-485 transceiver. Both devices are safety certified by UL1577 support $5kV_{rms}$ insulation withstand voltages, while providing high electromagnetic immunity and low emissions at low power consumption.

The Bus pins of NSi83085/NSi83086 are protected from $\pm 16kV$ system level ESD to GND2 on Bus side. These devices feature fail-safe circuitry, which guarantees a logic-high receiver output when the receiver inputs are open or shorted. The devices have a 1/8-unit-load receiver input impedance that allows up to 256 transceivers on the bus.

The data rate of NSi83085 is 500kbps. The device is slew limited to reduce EMI and reflections with improperly terminated transmission line. The data rate of NSi83086 is up to 16Mbps.

Key Features

- Up to $5000V_{rms}$ Insulation voltage
- Bus side power supply voltage: 3.0V to 5.5V
- VDD1 supply voltage: 2.5V to 5.5V
- High CMTI: $\pm 150kV/us$
- High system level EMC performance:
 - Bus Pins meet IEC61000-4-2 $\pm 16kV$ ESD
 - Other Pins meet $\pm 7kV$ contact ESD
- Fail-safe protection receiver
- NSi83085 has slew rate limitation
- Up to 256 transceivers on the bus
- Isolation Barrier Life: >60 years
- Operation temperature: $-40^{\circ}C \sim 105^{\circ}C$
- RoHS-compliant packages:
 - SOIC-16 wide body



Safety Regulatory Approvals

- UL recognition: up to $5000V_{rms}$ for 1 minute per UL1577
- CQC certification per GB4943.1-2011
- CSA component notice 5A
- DIN VDE V 0884-11:2017-01

Applications

- Industrial automation system
- Isolated RS-485 communication
- Smart electric meter and water meter
- Security and protection monitoring

Functional Block Diagrams

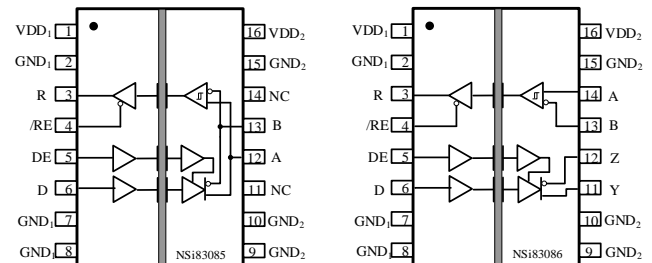


Figure 1. NSi83085 & NSi83086 Block Diagrams

Index

| | | |
|------------|---|-----------|
| 1.0 | ABSOLUTE MAXIMUM RATINGS | 3 |
| 2.0 | SPECIFICATIONS | 3 |
| 2.1. | DC ELECTRICAL CHARACTERISTICS | 3 |
| 2.2. | SWITCHING ELECTRICAL CHARACTERISTICS | 5 |
| 2.3. | TYPICAL PERFORMANCE CHARACTERISTICS | 7 |
| 2.4. | PARAMETER MEASUREMENT INFORMATION | 9 |
| 3.0 | HIGH VOLTAGE FEATURE DESCRIPTION | 10 |
| 3.1. | INSULATION AND SAFETY RELATED SPECIFICATIONS | 10 |
| 3.2. | DIN VDE V 0884-11 (VDE V 0884-11) :2017-01 INSULATION CHARACTERISTICS | 11 |
| 3.3. | REGULATORY INFORMATION | 12 |
| 4.0 | FUNCTION DESCRIPTION | 13 |
| 4.1. | DATA RATE | 13 |
| 4.2. | TRUE FAIL-SAFE RECEIVER INPUTS | 13 |
| 4.3. | TRUTH TABLES | 13 |
| 4.4. | THERMAL SHUTDOWN | 14 |
| 5.0 | APPLICATION NOTE | 14 |
| 5.1. | 256 TRANSCEIVERS ON THE BUS | 14 |
| 5.2. | ESD PROTECTION | 14 |
| 5.3. | LAYOUT CONSIDERATIONS | 14 |
| 5.4. | TYPICAL APPLICATION | 14 |
| 6.0 | PACKAGE INFORMATION | 16 |
| 7.0 | TAPE AND REEL INFORMATION | 18 |
| 8.0 | ORDER INFORMATION | 19 |
| 9.0 | REVISION HISTORY | 20 |

1.0 ABSOLUTE MAXIMUM RATINGS

| Parameters | Symbol | Min | Typ | Max | Unit | Comments |
|--------------------------------------|-------------------------------------|------|-----|---------|-------|----------|
| Power Supply Voltage | VDD ₁ , VDD ₂ | -0.5 | | 6 | V | |
| Maximum Input Voltage | /RE, DE, TxD | -0.4 | | VDD+0.4 | V | |
| Common-Mode Transients | CMTI | -150 | | 150 | kV/us | |
| Driver Output/Receiver Input Voltage | VA, VB, VY, VZ | -7 | | 12 | V | |
| Receiver Output Current | I _o | -15 | | 15 | mA | |
| Maximum Surge Isolation Voltage | V _{IOSM} | | | 5.3 | kV | |
| Operating Temperature | Topr | -40 | | 105 | °C | |
| Storage Temperature | Tstg | -40 | | 150 | °C | |
| Electrostatic discharge | HBM (Bus pins and GND) | | | ±8000 | V | |
| | HBM(All pins) | | | ±6000 | V | |
| | CDM | | | ±2000 | V | |

2.0 SPECIFICATIONS

2.1. DC ELECTRICAL CHARACTERISTICS

(VDD1=2.5V~5.5V, VDD2=3.0V~5.5V, Ta=-40°C to 105°C. Unless otherwise noted, Typical values are at VDD1 = 5V, VDD2 = 5V, Ta = 25°C)

| Parameters | Symbol | Min | Typ | Max | Unit | Comments |
|----------------------------|------------------|-----|------|------|------|--|
| Power supply voltage | VDD ₁ | 2.5 | | 5.5 | V | |
| | VDD ₂ | 3.0 | | 5.5 | V | Bus Side |
| Logic-side supply current | I _{DD1} | | 3.32 | 4.98 | mA | VDD ₁ =5V, DE=high, /RE=D=low, no load |
| | | | 3.26 | 4.89 | mA | VDD ₁ =3V, DE=high, /RE=D=low, no load |
| Bus-side supply current | I _{DD2} | | 3.35 | 5.02 | mA | VDD ₂ =5V, DE=high, /RE=D=low, no load (NSi83085) |
| | | | 2.15 | 3.23 | mA | VDD ₂ =5V, DE=high, /RE=D=low, no load (NSi83085) |
| Thermal-Shutdown Threshold | T _{TS} | | 165 | | °C | |

| | | | | | | |
|--|------------------|-----------------|-------------|------|-------|--|
| Thermal-Shutdown Hysteresis | T_{TSH} | | 15 | | °C | |
| Common Mode Transient Immunity | CMTI | ±100 | | ±150 | kV/us | |
| Logic Side | | | | | | |
| Input High Voltage | V_{IH} | 2 | | | V | DE, D, /RE |
| Input Low Voltage | V_{IL} | | | 0.8 | V | DE, D, /RE |
| Input Threshold | V_{IT} | | 1.6 | | V | Input Threshold at rising edge |
| | V_{IT_HYS} | | 0.4 | | V | Input Threshold Hysteresis |
| Input Pull up Current | I_{PU} | | | 20 | µA | DE, /RE |
| Input Pull down Current | I_{PD} | -15 | | | µA | DI |
| Output Voltage High | V_{OH} | $V_{DD1} - 0.3$ | | | V | $I_{OH} = -4mA$ |
| Output Voltage Low | V_{OL} | | | 0.3 | V | $I_{OL} = 4mA$ |
| Output Short-Circuit Current | I_{OSR} | | | 150 | mA | $0 \leq V_R \leq V_{DD1}$ |
| Three-State Output Current | I_{OZ} | -15 | | | µA | $0 \leq V_R \leq V_{DD1}$, /RE = high |
| Input Capacitance | C_{IN} | | 2 | | pF | DE, D, /RE |
| Driver | | | | | | |
| Differential Output Voltage | $ V_{OD} $ | | | VDD2 | V | No Load |
| | | 2.7 | | VDD2 | V | See Figure 2.4.1 , $R_L=100\Omega$ (RS-422), VDD2=5V |
| | | 1.5 | | VDD2 | V | See Figure 2.4.1 , $R_L=100\Omega$ (RS-422), VDD2=3.3V |
| | | 2.1 | | VDD2 | V | See Figure 2.4.1 , $R_L=54\Omega$ (RS-485), VDD2=5V |
| | | 1.3 | | VDD2 | V | See Figure 2.4.1 , $R_L=54\Omega$ (RS-485), VDD2=3.3V |
| Change in magnitude of the differential output voltage | $\Delta V_{OD} $ | | | 0.2 | V | See Figure 2.4.1 , $R_L=100\Omega$ or $R_L=54\Omega$ |
| Common-Mode Output Voltage | $ V_{OC} $ | | $V_{DD2}/2$ | 3 | V | See Figure 2.4.1 , $R_L=100\Omega$ or $R_L=54\Omega$ |
| Change in Magnitude of Common-Mode Voltage | $\Delta V_{OC} $ | | | 0.2 | V | See Figure 2.4.1 , $R_L=100\Omega$ or $R_L=54\Omega$ |
| Driver Short-Circuit Output Current | I_{OSD} | | | 250 | mA | $0 \leq V_{OUT} \leq +12V$ |
| | | -250 | | | mA | $-7V \leq V_{OUT} \leq V_{DD2}$ |
| | I_O | | | 125 | µA | DE=GND, VIN=12V |

| | | | | | | |
|--|---------------------------------|------|------|-----|----|---|
| Output Leakage Current (Y and Z) Full-Duplex | | -75 | | | uA | DE=GND, VIN=-7V |
| Receiver | | | | | | |
| Input Current (A and B) | I _A , I _B | | | 125 | uA | DE=GND, VDD ₂ =GND, V _{IN} =12V |
| | | -200 | | | uA | DE=GND, VDD ₂ =GND, V _{IN} =-7V |
| Receiver Differential Threshold Voltage | V _{TH} | -200 | -125 | -50 | mV | -7V ≤ V _{CM} ≤ 12V |
| Receiver Input Hysteresis | ΔV _{TH} | | 15 | | mV | V _A +V _B =0 |
| Receiver Input Resistance | R _{IN} | 96 | | | kΩ | -7V ≤ V _{CM} ≤ 12V, DE=low |

2.2. SWITCHING ELECTRICAL CHARACTERISTICS

(VDD1=2.5V~5.5V, VDD2=3.0V~5.5V, Ta=-40°C to 105°C. Unless otherwise noted, Typical values are at VDD1 = 5V, VDD2 = 5V, Ta = 25°C)

| Parameters | Symbol | Min | Typ | Max | Unit | Comments |
|---|------------------|-----|-----|-----|------|--|
| Driver (NSi83085) | | | | | | |
| Maximum Data Rate | f _{MAX} | 0.5 | | | Mbps | |
| Driver Propagation Delay | t _{PLH} | | 450 | 675 | ns | See Figure 2.4.2, R_L=54Ω, C_L=50pF |
| | t _{PHL} | | 430 | 645 | ns | See Figure 2.4.2, R_L=54Ω, C_L=50pF |
| Driver Pulse Width Distortion, t _{PHL} - t _{PLH} | PWD | | 20 | | ns | See Figure 2.4.2, R_L=54Ω, C_L=50pF |
| Driver Output Falling Time or Rising time | t _F | | 590 | 885 | ns | See Figure 2.4.2, R_L=54Ω, C_L=50pF |
| | t _R | | 590 | 885 | ns | See Figure 2.4.2, R_L=54Ω, C_L=50pF |
| Driver Enable to Output High | t _{ZH} | | 310 | 465 | ns | See Figure 2.4.3, R_L=110Ω, C_L=50pF |
| Driver Enable to Output Low | t _{ZL} | | 310 | 465 | ns | See Figure 2.4.3, R_L=110Ω, C_L=50pF |
| Driver Output High to Disable | t _{HZ} | | 30 | 45 | ns | See Figure 2.4.3, R_L=110Ω, C_L=50pF |
| Driver Output Low to Disable | t _{LZ} | | 30 | 45 | ns | See Figure 2.4.3, R_L=110Ω, C_L=50pF |
| Receiver (NSi83085) | | | | | | |

| | | | | | | |
|--|-----------|-----|------|-------|------|---|
| Maximum Data Rate | f_{MAX} | 0.5 | | | Mbps | |
| Receiver Propagation Delay | t_{PLH} | | 102 | 153 | ns | See Figure 2.4.4, $C_L=15pF$ |
| | t_{PHL} | | 92 | 138 | ns | See Figure 2.4.4, $C_L=15pF$ |
| Receiver Pulse Width Distortion | PWD | | 10 | | ns | $ t_{PHL} - t_{PLH} $, See Figure 2.4.4, $C_L=15pF$ |
| Receiver Output Falling Time or Rising time | t_F | | 2.5 | 3.75 | ns | See Figure 2.4.4, $C_L=15pF$ |
| | t_R | | 2.5 | 3.75 | ns | See Figure 2.4.4, $C_L=15pF$ |
| Receiver Enable to Output High | t_{ZH} | | 18.5 | 27.75 | ns | See Figure 2.4.5, $R_L=1k\Omega, C_L=15pF$ |
| Receiver Enable to Output Low | t_{ZL} | | 18.5 | 27.75 | ns | See Figure 2.4.5, $R_L=1k\Omega, C_L=15pF$ |
| Receiver Disable to Output High | t_{HZ} | | 23 | 34.5 | ns | See Figure 2.4.5, $R_L=1k\Omega, C_L=15pF$ |
| Receiver Disable to Output Low | t_{LZ} | | 23 | 34.5 | ns | See Figure 2.4.5, $R_L=1k\Omega, C_L=15pF$ |
| Driver (NSi83086) | | | | | | |
| Maximum Data Rate | f_{MAX} | 16 | | | Mbps | |
| Driver Propagation Delay | t_{PLH} | | 12 | 18 | ns | See Figure 2.4.2, $R_L=54\Omega, C_L=50pF$ |
| | t_{PHL} | | 13.5 | 20.25 | ns | See Figure 2.4.2, $R_L=54\Omega, C_L=50pF$ |
| Driver Pulse Width Distortion, $ t_{PHL} - t_{PLH} $ | PWD | | 1.5 | | ns | See Figure 2.4.2, $R_L=54\Omega, C_L=50pF$ |
| Driver Output Falling Time or Rising time | t_F | | 2.95 | 4.425 | ns | See Figure 2.4.2, $R_L=54\Omega, C_L=50pF$ |
| | t_R | | 2.6 | 3.9 | ns | See Figure 2.4.2, $R_L=54\Omega, C_L=50pF$ |
| Driver Enable to Output High | t_{ZH} | | 18.5 | 27.75 | ns | See Figure 2.4.3, $R_L=110\Omega, C_L=50pF$ |
| Driver Enable to Output Low | t_{ZL} | | 19.1 | 28.65 | ns | See Figure 2.4.3, $R_L=110\Omega, C_L=50pF$ |
| Driver Disable to Output High | t_{HZ} | | 20.8 | 31.2 | ns | See Figure 2.4.3, $R_L=110\Omega, C_L=50pF$ |
| Driver Disable to Output Low | t_{LZ} | | 20.1 | 30.15 | ns | See Figure 2.4.3, $R_L=110\Omega, C_L=50pF$ |
| Receiver (NSi83086) | | | | | | |
| Maximum Data Rate | f_{MAX} | 16 | | | Mbps | |

| | | | | | | |
|--|-----------|--|------|------|----|---|
| Receiver Propagation Delay | t_{PLH} | | 16.2 | 24.3 | ns | See Figure 2.4.4, $C_L=15pF$ |
| | t_{PHL} | | 22.2 | 33.3 | ns | See Figure 2.4.4, $C_L=15pF$ |
| Receiver Pulse Width Distortion, $ t_{PHL} - t_{PLH} $ | PWD | | 6.0 | | ns | See Figure 2.4.4, $C_L=15pF$ |
| Receiver Output Falling Time or Rising time | t_F | | 2.3 | 3.45 | ns | See Figure 2.4.4, $C_L=15pF$ |
| | t_R | | 2.1 | 3.15 | ns | See Figure 2.4.4, $C_L=15pF$ |
| Receiver Enable to Output High | t_{ZH} | | 13.8 | 20.7 | ns | See Figure 2.4.5, $R_L=1k\Omega, C_L=15pF$ |
| Receiver Enable to Output Low | t_{ZL} | | 12.6 | 18.9 | ns | See Figure 2.4.5, $R_L=1k\Omega, C_L=15pF$ |
| Receiver Disable to Output High | t_{HZ} | | 14 | 21 | ns | See Figure 2.4.5, $R_L=1k\Omega, C_L=15pF$ |
| Receiver Disable to Output Low | t_{LZ} | | 13.4 | 20.1 | ns | See Figure 2.4.5, $R_L=1k\Omega, C_L=15pF$ |

2.3. TYPICAL PERFORMANCE CHARACTERISTICS

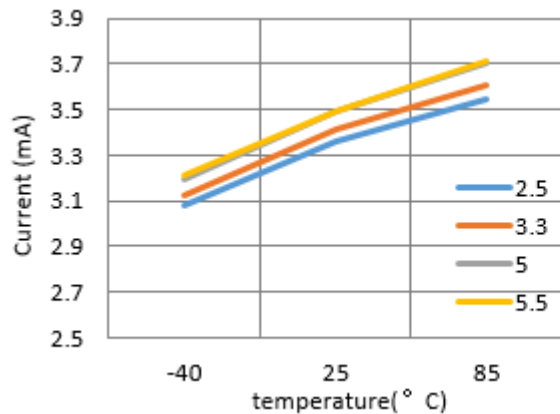


Figure 2.1 NSi83085 VDD1 supply current vs Temperature

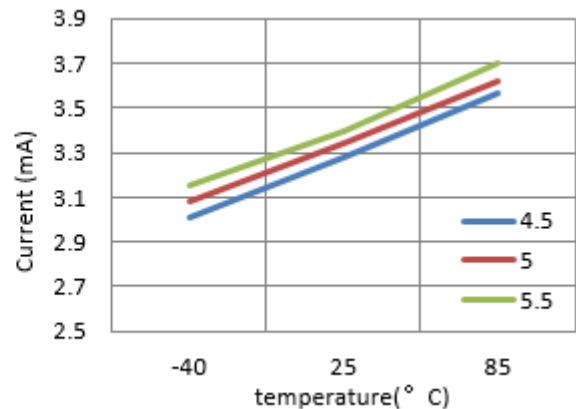


Figure 2.2 NSi83085 VDD2 supply current vs Temperature

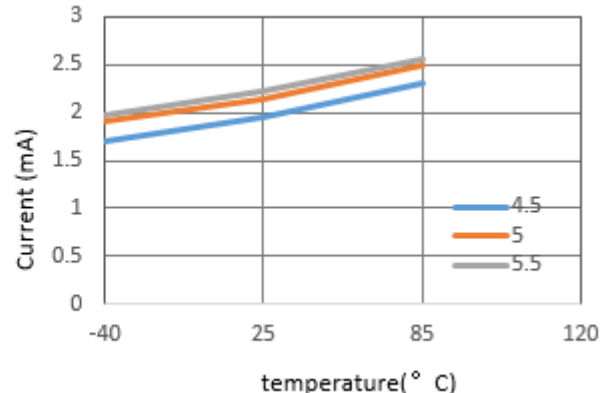
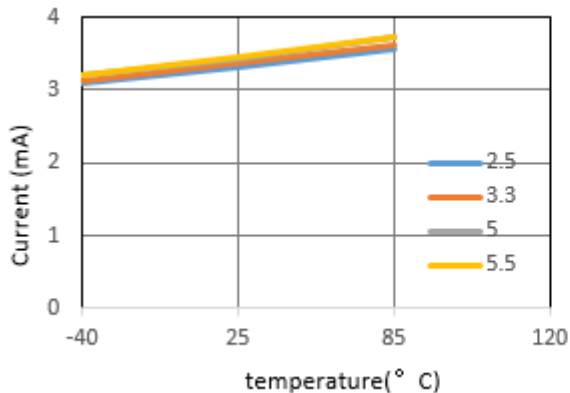


Figure 2.3 NSi83086 VDD1 supply current vs Temperature

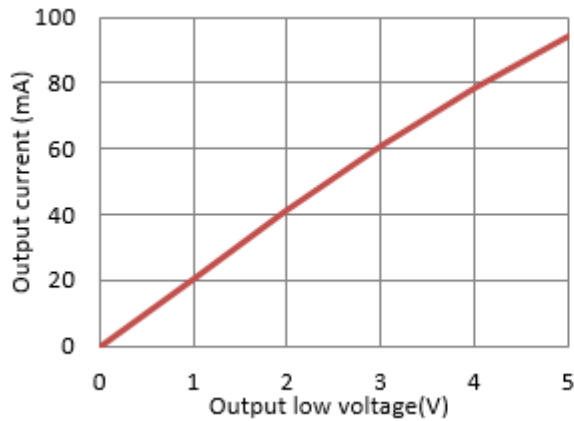


Figure 2.4 NSi83086 VDD2 supply current vs Temperature

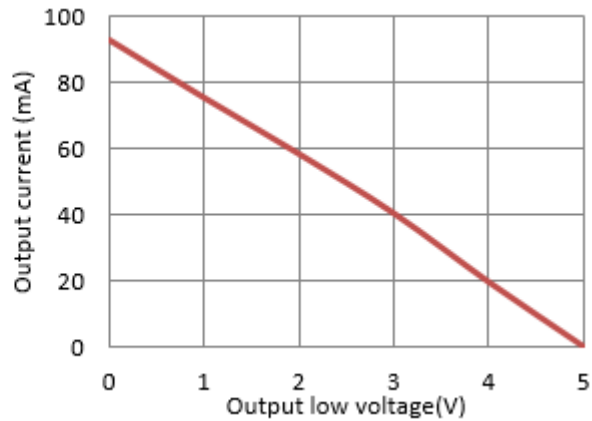


Figure 2.5 Receiver output current vs Output low voltage

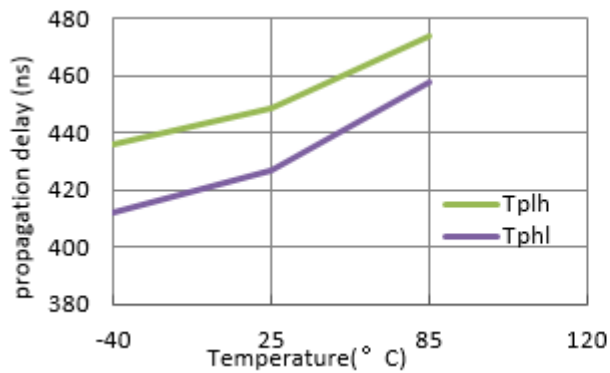


Figure 2.6 Receiver output current vs Output High voltage

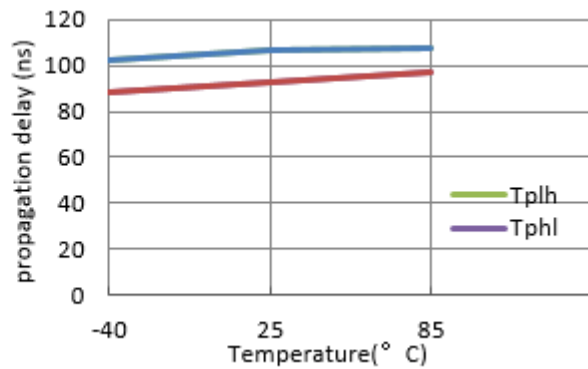


Figure 2.9 NSi83085 Transmitter Propagation Delay vs Temperature

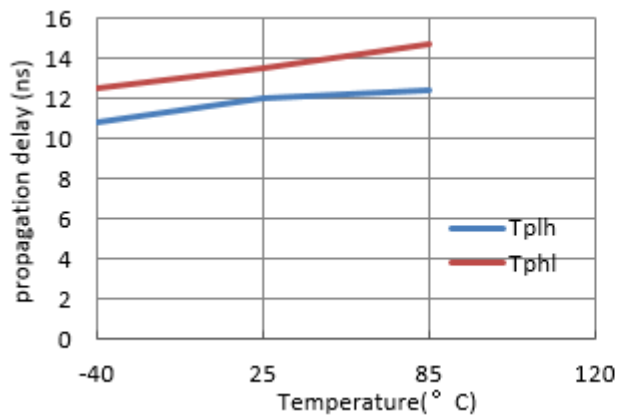


Figure 2.10 NSi83085 Receiver Propagation Delay vs Temperature

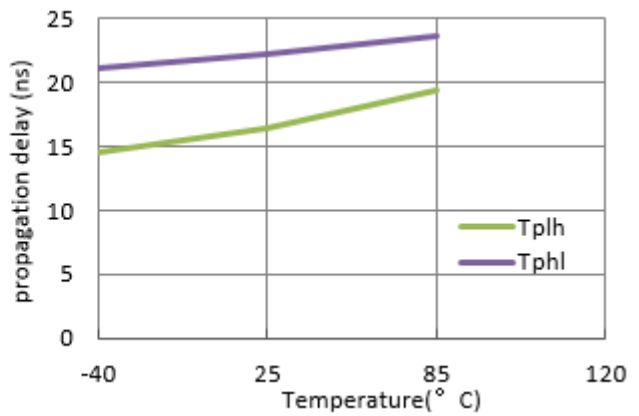


Figure 2.11 NSi83086 Transmitter Propagation Delay vs Temperature

Figure 2.12 NSi83086 Receiver Propagation Delay vs Temperature

2.4. PARAMETER MEASUREMENT INFORMATION

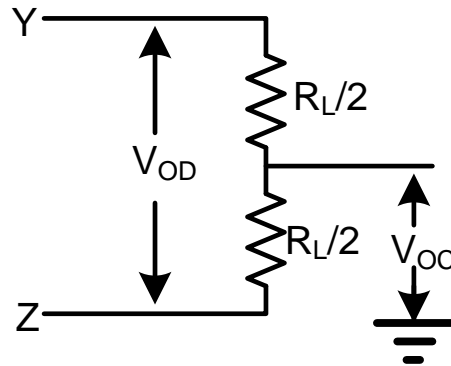


Figure 2.4.1 Driver DC Test Load

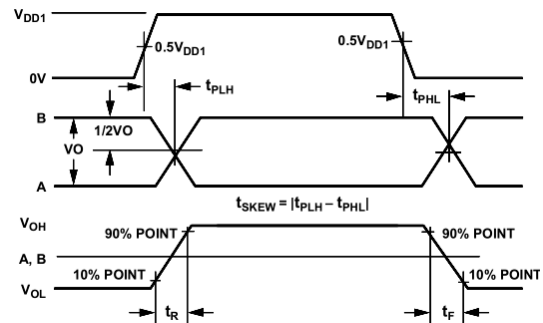
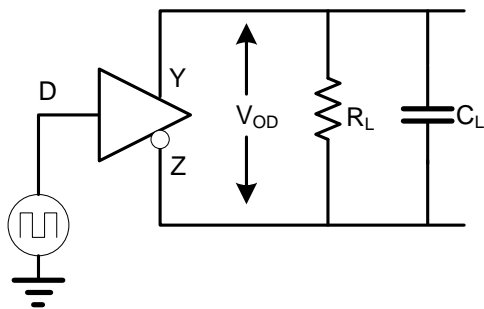


Figure 2.4.2 Driver Timing Test Circuit and waveform

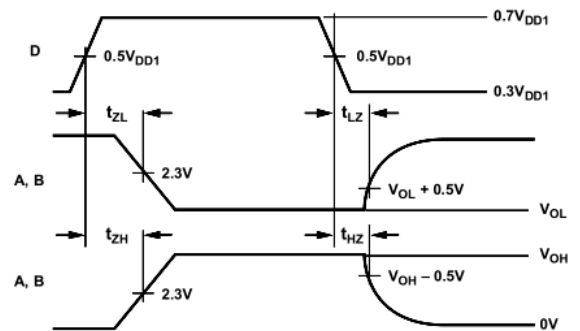
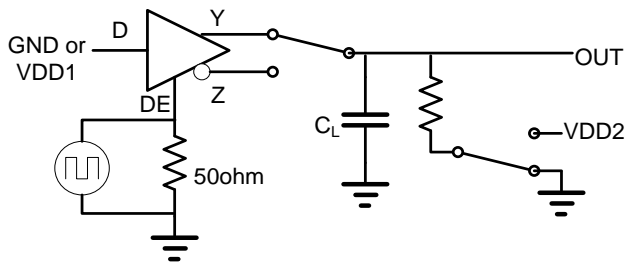


Figure 2.4.3 Driver Enable Disable Timing Test Circuit and waveform

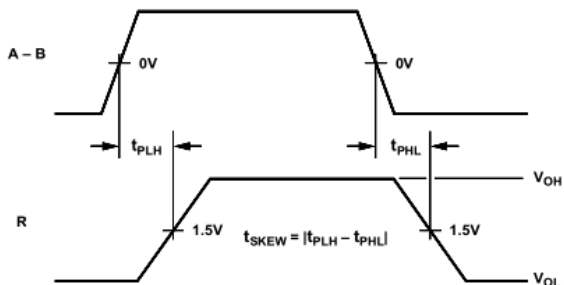
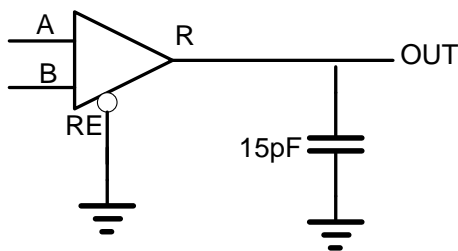


Figure 2.4.4 Receiver Propagation Delay Test Circuit and waveform

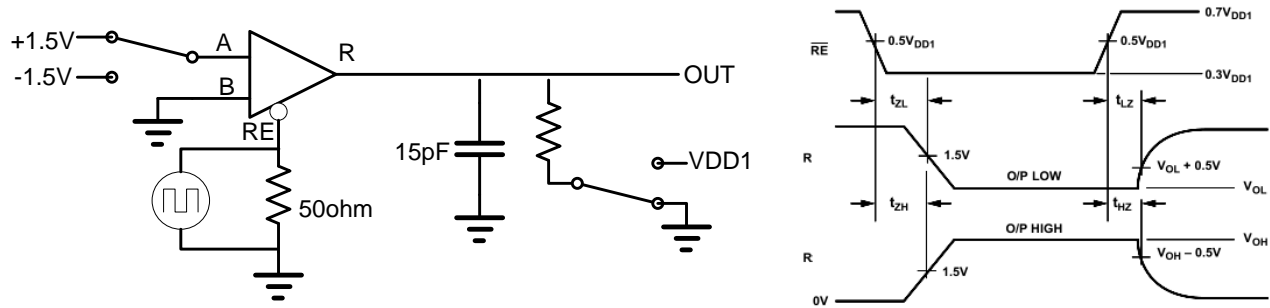


Figure 2.4.5 Receiver Enable Disable Timing Test Circuit and waveform

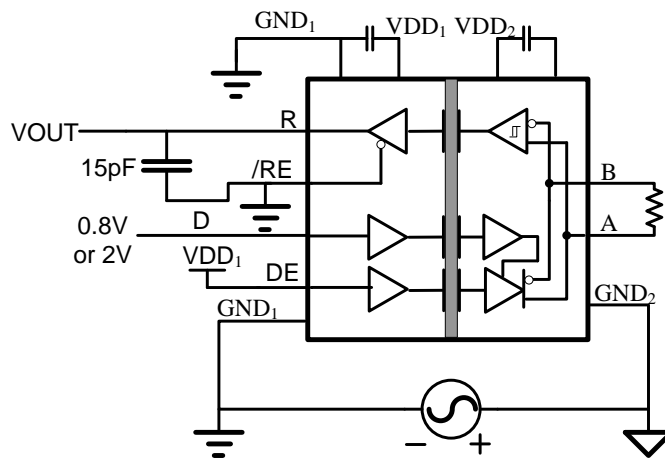


Figure 2.4.6 Common-Mode Transient Immunity Test Circuit

3.0 HIGH VOLTAGE FEATURE DESCRIPTION

3.1. INSULATION AND SAFETY RELATED SPECIFICATIONS

| Parameters | Symbol | Value | Unit | Comments |
|---|--------|-------|------|---|
| Minimum External Air Gap (Clearance) | L(I01) | 8.0 | mm | Shortest terminal-to-terminal distance through air |
| Minimum External Tracking (Creepage) | L(I02) | 8.0 | mm | Shortest terminal-to-terminal distance across the package surface |
| Minimum internal gap | DTI | 20 | um | Distance through insulation |
| Tracking Resistance(Comparative Tracking Index) | CTI | >400 | V | DIN EN 60112 (VDE 0303-11); IEC 60112 |
| Material Group | | II | | |

3.2. DIN VDE V 0884-11 (VDE V 0884-11) :2017-01 INSULATION CHARACTERISTICS

| Description | Test Condition | Symbol | Value | Unit |
|---|---|-------------|-----------|------------------|
| Installation Classification per DIN VDE 0110 | | | | |
| For Rated Mains Voltage $\leq 150\text{Vrms}$ | | | I to IV | |
| For Rated Mains Voltage $\leq 300\text{Vrms}$ | | | I to IV | |
| For Rated Mains Voltage $\leq 400\text{Vrms}$ | | | I to IV | |
| Climatic Classification | | | 10/105/21 | |
| Pollution Degree per DIN VDE 0110, Table 1 | | | 2 | |
| Maximum repetitive isolation voltage | AC Voltage(Bipolar) | V_{IORM} | 1166 | Vpeak |
| | AC Voltage(TDDB) | V_{IORM} | 824 | Vrms |
| | DC Voltage | V_{IORM} | 1166 | Vdc |
| Input to Output Test Voltage, Method B1 | $V_{IORM} \times 1.5 = V_{pd(m)}$, 100% production test, $t_{ini} = t_m = 1 \text{ sec}$, partial discharge $< 5 \text{ pC}$ | $V_{pd(m)}$ | 1749 | Vpeak |
| Input to Output Test Voltage, Method A | | | | |
| After Environmental Tests Subgroup 1 | $V_{IORM} \times 1.2 = V_{pd(m)}$, $t_{ini} = 60 \text{ sec}$, $t_m = 10 \text{ sec}$, partial discharge $< 5 \text{ pC}$ | $V_{pd(m)}$ | 1399 | Vpeak |
| After Input and /or Safety Test Subgroup 2 and Subgroup 3 | $V_{IORM} \times 1.2 = V_{pd(m)}$, $t_{ini} = 60 \text{ sec}$, $t_m = 10 \text{ sec}$, partial discharge $< 5 \text{ pC}$ | $V_{pd(m)}$ | 1399 | Vpeak |
| Maximum transient isolation voltage | $t = 60 \text{ sec}$ | V_{IOTM} | 7000 | Vpeak |
| Maximum Surge Isolation Voltage | Test method per IEC60065,1.2/50us waveform, $V_{TEST}=1.3 \times V_{IOSM}$ | V_{IOSM} | 5384 | Vpeak |
| Isolation resistance | $V_{IO} = 500\text{V}$ | R_{IO} | $>10^9$ | Ω |
| Isolation capacitance | $f = 1\text{MHz}$ | C_{IO} | 0.6 | pF |
| Input capacitance | | C_I | 2 | pF |
| Total Power Dissipation at 25°C | | Ps | 1499 | mW |
| Safety input, output, or supply current | $\theta_{JA} = 140 \text{ }^\circ\text{C/W}$, $V_I = 5.5 \text{ V}$, $T_J = 150 \text{ }^\circ\text{C}$, $T_A = 25 \text{ }^\circ\text{C}$ | Is | | mA |
| | $\theta_{JA} = 84 \text{ }^\circ\text{C/W}$, $V_I = 5.5 \text{ V}$, $T_J = 150 \text{ }^\circ\text{C}$, $T_A = 25 \text{ }^\circ\text{C}$ | | 237 | mA |
| Case Temperature | | Ts | 150 | $^\circ\text{C}$ |

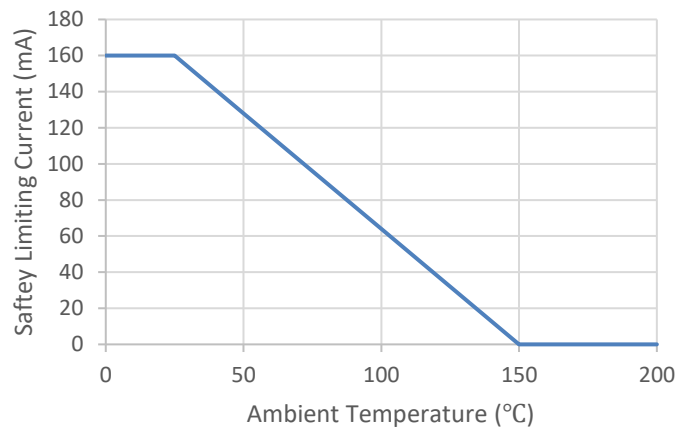


Figure 3.1 NSi83085/NSi83086 Thermal Derating Curve, Dependence of Safety Limiting Values with Case Temperature per DIN VDE V 0884-11

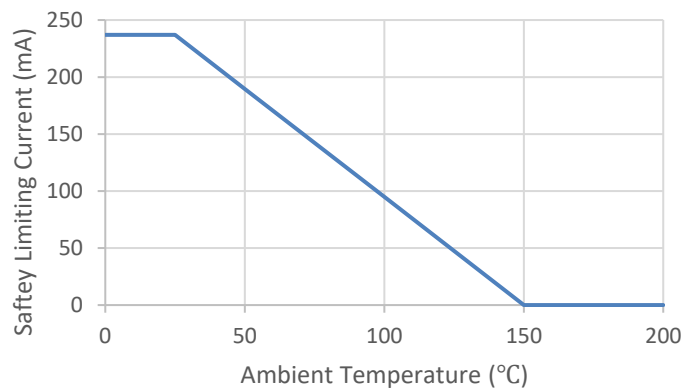


Figure 3.2 NSi83085/NSi83086 Thermal Derating Curve, Dependence of Safety Limiting Values with Case Temperature per DIN VDE V 0884-11

3.3. REGULATORY INFORMATION

The NSi83085/NSi83086 are approved or pending approval by the organizations listed in table.

| CUL | | VDE | CQC |
|--|---|--|--|
| UL 1577 Component Recognition Program ¹ | Approved under CSA Component Acceptance Notice 5A | DIN VDE V 0884-11(VDE V 0884-11):2017-01 ² | Certified by CQC11-471543-2012 GB4943.1-2011 |
| Single Protection, 5000Vrms Isolation voltage | Single Protection, 5000Vrms Isolation voltage | Basic Insulation 1166Vpeak, V _{IOSM} =5384Vpeak | Basic insulation at 824V _{RMS} (1166Vpeak) Reinforced insulation at 400V _{RMS} (565Vpeak) |
| File (E500602) | File (E500602) | File (5024579-4880-0001) | File (pending) |

¹ In accordance with UL 1577, each NSi83085/NSi83086 is proof tested by applying an insulation test voltage ≥ 6000 V rms for 1 sec.

² In accordance with DIN VDE V 0884-11, each NSi8100W/NSi8101W is proof tested by applying an insulation test voltage ≥ 1273 V peak for 1 sec (partial discharge detection limit = 5 pC). The * marking branded on the component designates DIN VDE V 0884-11 approval.

4.0 FUNCTION DESCRIPTION

NSi83085 is a high reliability isolated half duplex RS-485 transceiver, while NSi83086 is an isolated full duplex RS-485 transceiver. Data isolation is achieved using Novosense integrated capacitive isolation that allows data transmission between the logic side and the Bus side. Both devices are safety certified by UL1577 support 5kV_{RMS} insulation withstand voltages.

4.1. DATA RATE

The data rate of NSi83085 is 500kbps. The device is slew limited to reduce EMI and reflections with improperly terminated transmission line. The data rate of NSi83086 is up to 16Mbps.

4.2. TRUE FAIL-SAFE RECEIVER INPUTS

The devices feature fail-safe circuitry, which guarantees a logic-high receiver output when the receiver inputs are open or shorted. The receiver threshold is fixed between -50mV and -200mV, which meets EIA/TIA-485 standard. If the differential input voltage ($V_A - V_B$) is greater than or equal to -50mV, receiver output R is logic high. In the case of a terminated bus with all transmitters disabled, the differential input voltage is pulled to zero by the termination resistors. Due to the receiver threshold, the receiver output R is logic high.

4.3. TRUTH TABLES

Table 4.1 Driver Function Table

| VDD1 status | VDD2 status | Input (D) | Enable Input (DE) | Outputs ¹ | |
|-------------|-------------|--------------|----------------------|----------------------|-----|
| | | | | A/Y | B/Z |
| PU | PU | H | H | H | L |
| PU | PU | L | H | L | H |
| PU | PU | X | L | Z | Z |
| PU | PU | X | OPEN | Z | Z |
| PU | PU | OPEN | H | H | L |
| PD | PU | X | X | Z | Z |
| PU | PD | X | X | Z | Z |
| PD | PD | X | X | Z | Z |

¹ PD= Powered down; PU= Powered up; H= Logic High; L= Logic Low; X= Irrelevant; Z= High Impedance; Driver output pins are Y and Z for NSi83086, A and B for NSi83085;

Table 4.2 Receiver Function Table¹

| VDD1 status | VDD2 status | Differential Input ($V_A - V_B$) | Enable Input (/RE) | Output (R) |
|-------------|-------------|---------------------------------------|-----------------------|---------------|
| PU | PU | $\geq -50\text{mV}$ | L/Open | H |
| PU | PU | $\leq -200\text{mV}$ | L/Open | L |
| PU | PU | Open/Short | L/Open | H |
| PU | PU | X | H | Z |
| PU | PU | Idle | L | H |
| PD | PU | X | X | Z |

| | | | | |
|----|----|---|---|---|
| PU | PD | X | X | H |
| PD | PD | X | X | Z |

¹PD= Powered down; PU= Powered up; H= Logic High; L= Logic Low; X= Irrelevant; Z= High Impedance.

4.4. THERMAL SHUTDOWN

The device is protected from over temperature damage by integrated thermal shutdown circuitry. When the junction temperature (TJ) exceeds +165°C (typ), the driver outputs go high-impedance. The device resumes normal operation when TJ falls below +145°C (typ).

5.0 APPLICATION NOTE

5.1. 256 TRANSCEIVERS ON THE BUS

The devices have a 1/8-unit-load receiver input impedance (96kΩ) that allows up to 256 transceivers on the bus. Connect any combination of these devices, and/or other RS-485 devices, for a maximum of 32 unit-loads to the line.

5.2. ESD PROTECTION

ESD protection structures are enhanced on all pins to protect against electrostatic discharge encountered during handling and assembly. The Bus pins have extra protection against static electricity to both the logic side (VDD1 side) and bus side (VDD2 side).

ESD protection can be tested in various ways. Below is the ESD spec of the devices.

Bus pins:

- ± 8kV HBM.
- ±16kV using the Contact Discharge method specified in IEC 61000-4-2

Other pins except bus pins:

- ±6kV HBM.
- ±7kV using the Contact Discharge method specified in IEC 61000-4-2

5.3. LAYOUT CONSIDERATIONS

The NSi83085/NSi83086 requires a 0.1 μF bypass capacitor between VDD1 and GND1, 10uF bypass capacitor between VDD2 and GND2. The capacitor should be placed as close as possible to the package. To eliminate line reflections, each cable end is terminated with a resistor, whose value matches the characteristic impedance of the cable. It's good practice to have the bus connectors and termination resistor as close as possible to the A and B, Y and Z pins.

5.4. TYPICAL APPLICATION

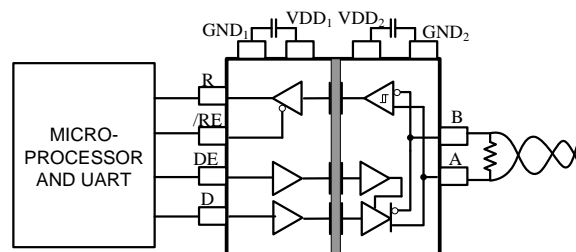


Figure 5.1 NSi83085 typical application circuit

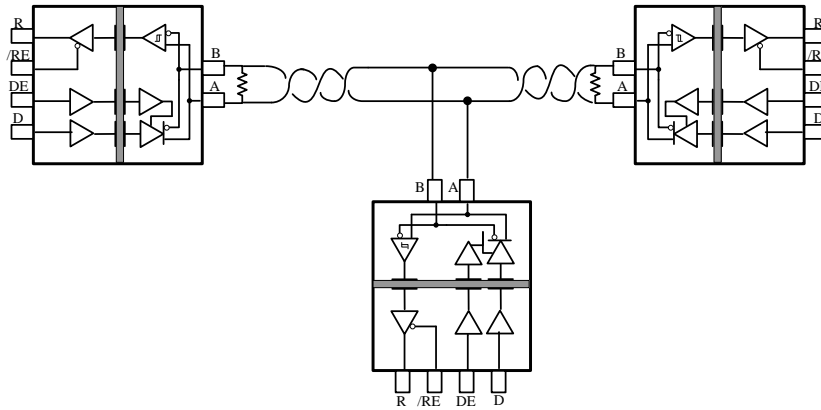


Figure 5.2 Typical isolated Half-Duplex RS-485 application

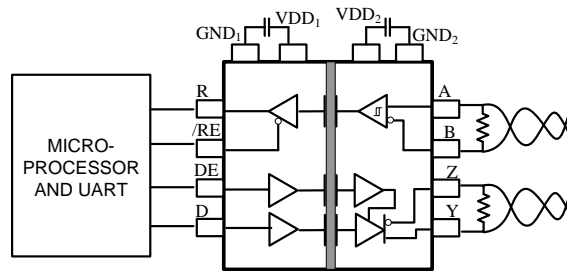


Figure 5.3 NSi83086 typical application circuit

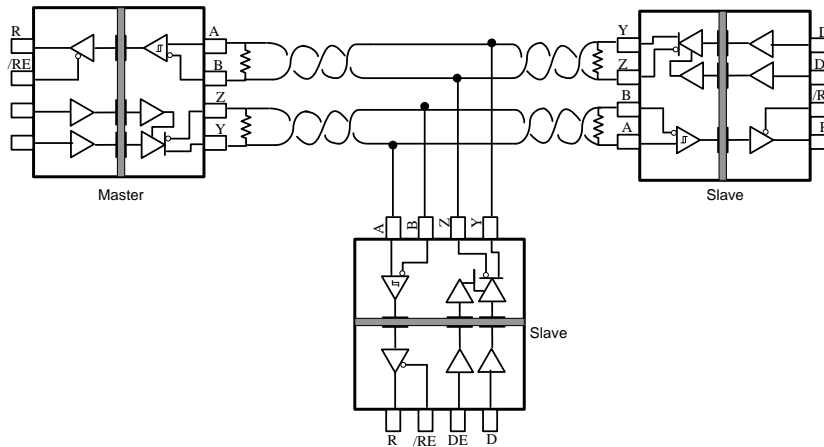


Figure 5.4 Typical isolated Full-Duplex RS-485 application

6.0 PACKAGE INFORMATION

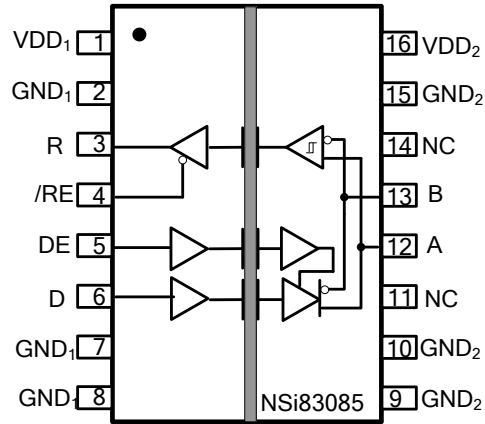


Figure 6.1 NSi83085 Package

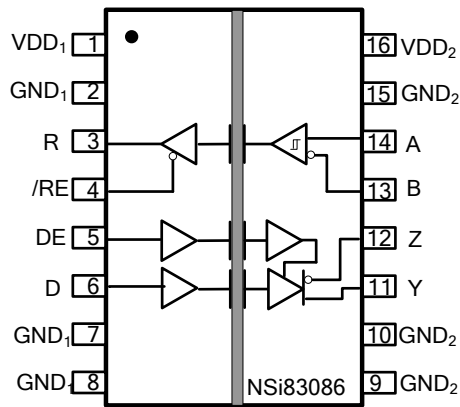
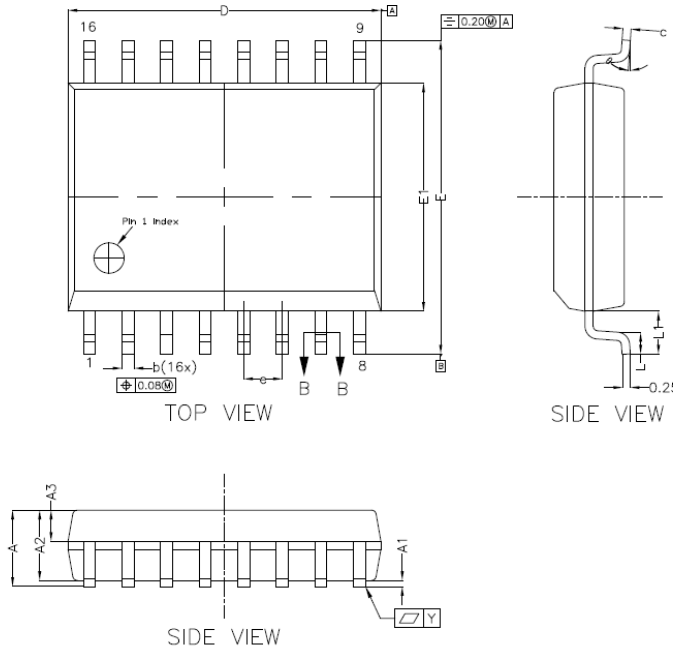


Figure 6.2 NSi83086 Package



* CONTROLLING DIMENSION : MM

| SYMBOL | MILLIMETER | | |
|--------|------------|-------|-------|
| | MIN. | NOM. | MAX. |
| A | --- | --- | 2.65 |
| A1 | 0.10 | --- | 0.30 |
| A2 | 2.25 | 2.30 | 2.35 |
| A3 | 0.97 | 1.02 | 1.07 |
| b | 0.35 | --- | 0.43 |
| c | 0.23 | --- | 0.32 |
| D | 10.20 | 10.30 | 10.40 |
| E | 10.10 | 10.30 | 10.50 |
| E1 | 7.40 | 7.50 | 7.60 |
| e | 1.27 bsc | | |
| L1 | 1.40 bsc | | |
| L | 0.55 | --- | 0.85 |
| Y | --- | 0.10 | --- |
| θ | 0° | --- | 8° |

NOTES
1.0 COPLANARITY APPLIES TO LEADS, CORNER LEADS AND DIE ATTACH PAD.

Figure 6.3 SOIC16 Package Shape and Dimension

Dimensions shown in millimeters and (inches)

Table6.1 NSi83085 Pin Configuration and Description

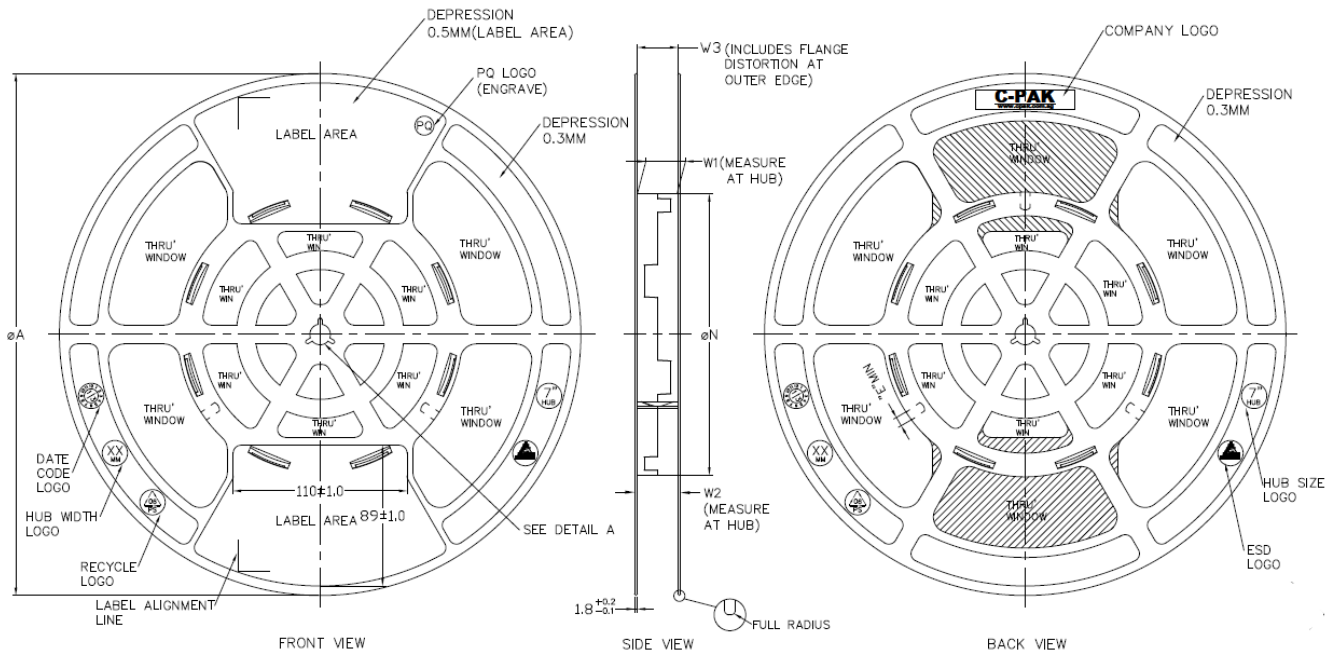
| <i>NSi83085 PIN NO.</i> | <i>SYMBOL</i> | <i>FUNCTION</i> |
|-----------------------------|------------------|--|
| 1 | VDD ₁ | Power Supply for Isolator Side 1 |
| 2 | GND ₁ | Ground 1, the ground reference for Isolator Side 1 |
| 3 | R | Receive output |
| 4 | /RE | Receive enable input. This is an active low input. |
| 5 | DE | Driver enable input. This is an active high input |
| 6 | D | Driver transmit data input. |
| 7 | GND ₁ | Ground 1, the ground reference for Isolator Side 1 |
| 8 | GND ₁ | Ground 1, the ground reference for Isolator Side 1 |
| 9 | GND ₂ | Ground 2, the ground reference for Isolator Side 2 |
| 10 | GND ₂ | Ground 2, the ground reference for Isolator Side 2 |
| 11 | NC | No Connection. |
| 12 | A | Noninverting Driver Output/Receiver Input. When the driver is disabled, or when VDD ₁ or VDD ₂ is powered down, Pin A is put into a high impedance state to avoid overloading the bus. |
| 13 | B | Inverting Driver Output/Receiver Input. When the driver is disabled, or when VDD ₁ or VDD ₂ is powered down, Pin B is put into a high impedance state to avoid overloading the bus. |
| 14 | NC | No Connection. |
| 15 | GND ₂ | Ground 2, the ground reference for Isolator Side 2 |
| 16 | VDD ₂ | Power Supply for Isolator Side 2 |

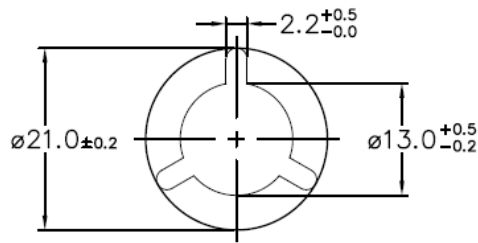
Table6.2 NSi83086 Pin Configuration and Description

| <i>NSi83086 PIN NO.</i> | <i>SYMBOL</i> | <i>FUNCTION</i> |
|-----------------------------|------------------|--|
| 1 | VDD ₁ | Power Supply for Isolator Side 1 |
| 2 | GND ₁ | Ground 1, the ground reference for Isolator Side 1 |
| 3 | R | Receive output |
| 4 | /RE | Receive enable input. This is an active low input. |
| 5 | DE | Driver enable input. This is an active high input |
| 6 | D | Driver transmit data input. |

| | | |
|----|------------------|---|
| 7 | GND ₁ | Ground 1, the ground reference for Isolator Side 1 |
| 8 | GND ₁ | Ground 1, the ground reference for Isolator Side 1 |
| 9 | GND ₂ | Ground 2, the ground reference for Isolator Side 2 |
| 10 | GND ₂ | Ground 2, the ground reference for Isolator Side 2 |
| 11 | Y | Noninverting Driver Output. When the driver is disabled, or when VDD ₁ or VDD ₂ is powered down, Pin Y is put into a high impedance state to avoid overloading the bus. |
| 12 | Z | Inverting Driver Output. When the driver is disabled, or when VDD ₁ or VDD ₂ is powered down, Pin Z is put into a high impedance state to avoid overloading the bus. |
| 13 | B | Inverting Receiver Input. |
| 14 | A | Noninverting Receiver Input. |
| 15 | GND ₂ | Ground 2, the ground reference for Isolator Side 2 |
| 16 | VDD ₂ | Power Supply for Isolator Side 2 |

7.0 TAPE AND REEL INFORMATION

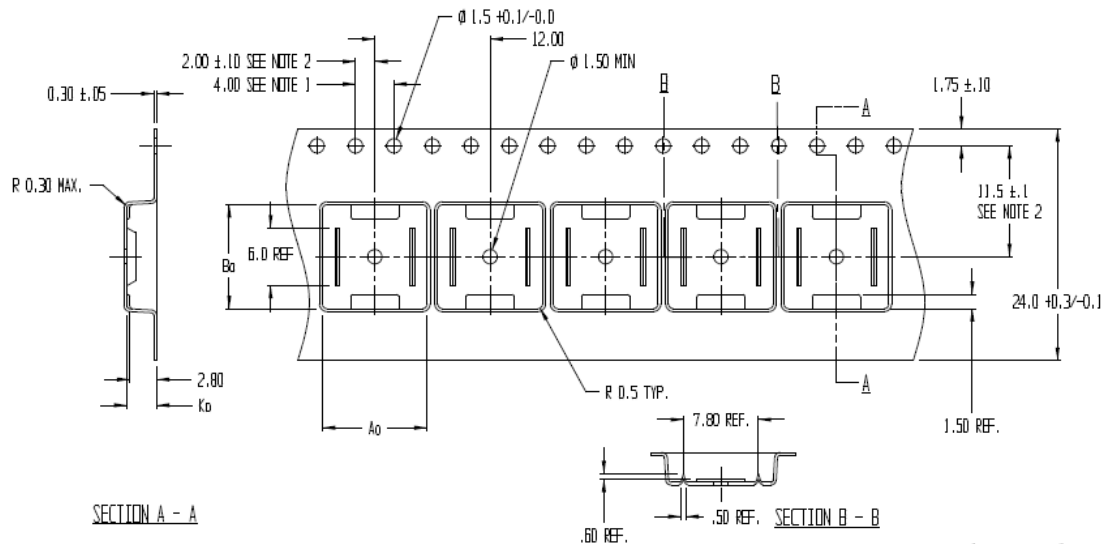




ARBOR HOLE
DETAIL A
SCALE : 3:1

| PRODUCT SPECIFICATION | | | | | | |
|-----------------------|---------|---------|-----------|----------|---|---------|
| TAPE WIDTH | ØA ±2.0 | ØN ±2.0 | W1 | W2 (MAX) | W3 | E (MIN) |
| 08MM | 330 | 178 | 8.4 ±0.5 | 14.4 | SHALL ACCOMMODATE TAPE WIDTH WITHOUT INTERFERENCE | 5.5 |
| 12MM | 330 | 178 | 12.4 ±0.5 | 18.4 | | 5.5 |
| 16MM | 330 | 178 | 16.4 ±0.5 | 22.4 | | 5.5 |
| 24MM | 330 | 178 | 24.4 ±0.5 | 30.4 | | 5.5 |
| 32MM | 330 | 178 | 32.4 ±0.5 | 38.4 | | 5.5 |

| SURFACE RESISTIVITY | | | |
|---------------------|---|----------------------|------------|
| LEGEND | SR RANGE | TYPE | COLOUR |
| A | BELOW 10 ¹² | ANTISTATIC | ALL TYPES |
| B | 10 ⁸ TO 10 ¹¹ | STATIC DISSIPATIVE | BLACK ONLY |
| C | 10 ⁸ & BELOW 10 ⁸ | CONDUCTIVE (GENERIC) | BLACK ONLY |
| E | 10 ⁸ TO 10 ¹¹ | ANTISTATIC (COATED) | ALL TYPES |



NOTES:

1. 10 SPROCKET HOLE PITCH CUMULATIVE TOLERANCE ±0.2
2. POCKET POSITION RELATIVE TO SPROCKET HOLE MEASURED AS TRUE POSITION OF POCKET, NOT POCKET HOLE
3. A₀ AND B₀ ARE CALCULATED ON A PLANE AT A DISTANCE "R" ABOVE THE BOTTOM OF THE POCKET.

A₀ = 10.90
B₀ = 10.80
K₀ = 3.1

Figure 7.1 Tape and Reel Information of WB SOIC16

8.0 ORDER INFORMATION

| Part No. | Isolation Rating(kV _{RMS}) | Duplex | Max Data Rate (MHz) | Temperature | No. of Nodes | Package |
|-----------|--------------------------------------|--------|---------------------|--------------|--------------|-----------|
| NSi83085 | 5 | Half | 0.5 | -40 to 105°C | 256 | WB SOIC16 |
| NSi83086 | 5 | Full | 16 | -40 to 105°C | 256 | WB SOIC16 |
| NSi83086H | 5 | Full | 16 | -40 to 105°C | 256 | WB SOIC16 |

NOTE: All packages are RoHS-compliant with peak reflow temperatures of 260 °C according to the JEDEC industry standard classifications and peak solder temperatures.

9.0 REVISION HISTORY

| Revision | Description | Date |
|----------|--|------------|
| 1.0 | | 2018/7/15 |
| 1.2 | Added NSi83086 spec | 2018/10/15 |
| 1.3 | Changed table 3.1 VDE insulation Characteristics | 2018/12/20 |
| 1.4 | Changed Certification Information | 2019/06/17 |
| 1.5 | Changed operation temperature range, changed supply voltage range, Updated VIORM Spec according to VDE Certification. | 2020/8/7 |
| 1.6 | Modified VIORM Spec according to VED Certification. | 2020/10/15 |